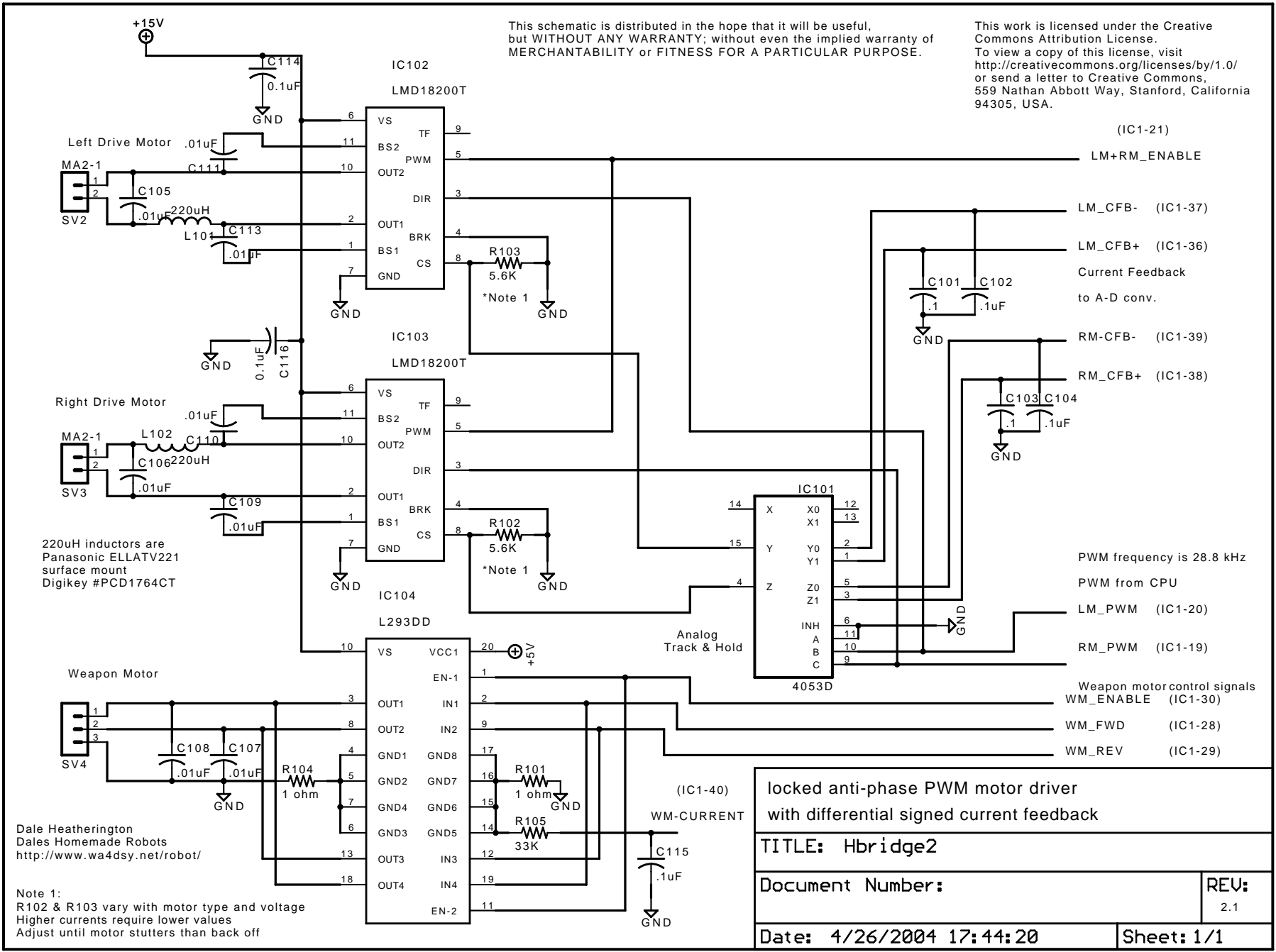


This schematic is distributed in the hope that it will be useful, but WITHOUT ANY WARRANTY; without even the implied warranty of MERCHANTABILITY or FITNESS FOR A PARTICULAR PURPOSE.

This work is licensed under the Creative Commons Attribution License. To view a copy of this license, visit <http://creativecommons.org/licenses/by/1.0/> or send a letter to Creative Commons, 559 Nathan Abbott Way, Stanford, California 94305, USA.



220uH inductors are Panasonic ELLATV221 surface mount Digkey #PCD1764CT

Dale Heatherington
Dales Homemade Robots
<http://www.wa4dsy.net/robot/>

Note 1:
R102 & R103 vary with motor type and voltage
Higher currents require lower values
Adjust until motor stutters than back off

locked anti-phase PWM motor driver
with differential signed current feedback

TITLE: Hbridge2

Document Number: REV: 2.1

Date: 4/26/2004 17:44:20 Sheet: 1/1