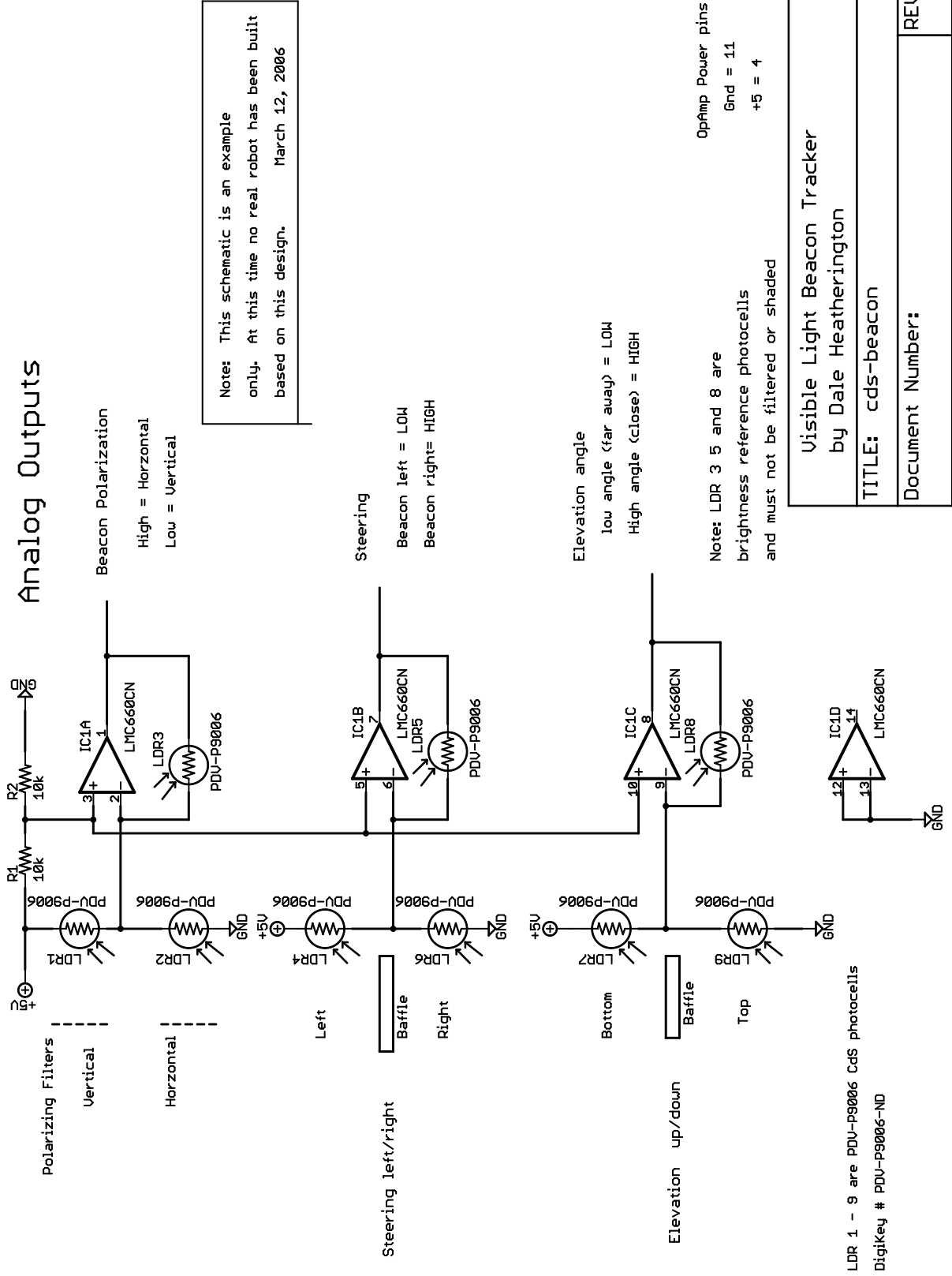


# Analog Outputs



Note: This schematic is an example only. At this time no real robot has been built based on this design. March 12, 2006

OpAmp Power pins  
Gnd = 11  
+5 = 4

Note: LDR 3 5 and 8 are brightness reference photocells and must not be filtered or shaded

Visible Light Beacon Tracker	
by Dale Heatherington	
TITLE: cds-beacon	
Document Number:	REV:
Date: not saved!	Sheet: 1/1

LDR 1 - 9 are PDU-P9006 Cds photocells  
DigKey # PDU-P9006-ND